



Model AC-32

Sealess Pump

Applications

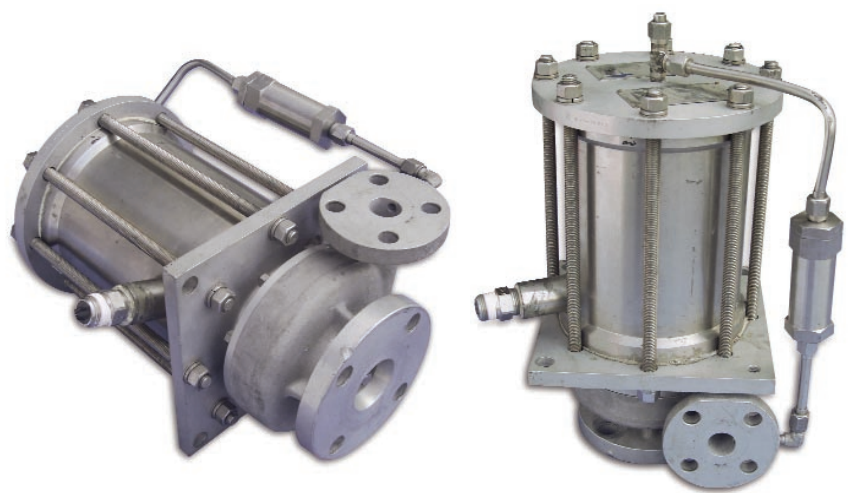
- ▶ LNG filling station pump
- ▶ Fuel loading pump
- ▶ LNG peaking plant

Features & Benefits

- ▶ Pump and motor are fully flooded with liquid, minimizing start-up and downtime and guaranteeing quick, responsive pumping
- ▶ Sealess design minimizes maintenance requirements
- ▶ No suction vessel means lower cost
- ▶ Multi frequency motor provides an efficient and broad range of operation and power
- ▶ Sealess zero leakage design is environmentally safe releasing no volatile organic chemicals and contaminants (VOC's) into the atmosphere
- ▶ Electrical motor and bearing life is extended being cooled by the cryogen it is pumping, heat input is minimal and carried off by discharging liquid
- ▶ Low NPSH inducer coupled with a variable speed soft start motor eliminates cavitation at pump start-up
- ▶ Suitable for Class I, Div I (IEC Zone 0 and 1)

Liquids Pumped

- ▶ N₂, Ar, CO₂, Methane (LNG), Ethylene, C₂H₄)



Specifications

Flow Range

gpm	4-460
lpm	15-1514

NPSHR

feet	0.5-16
meters	0.15-3.67

Differential Head

feet	21-625
meters	6.40-207

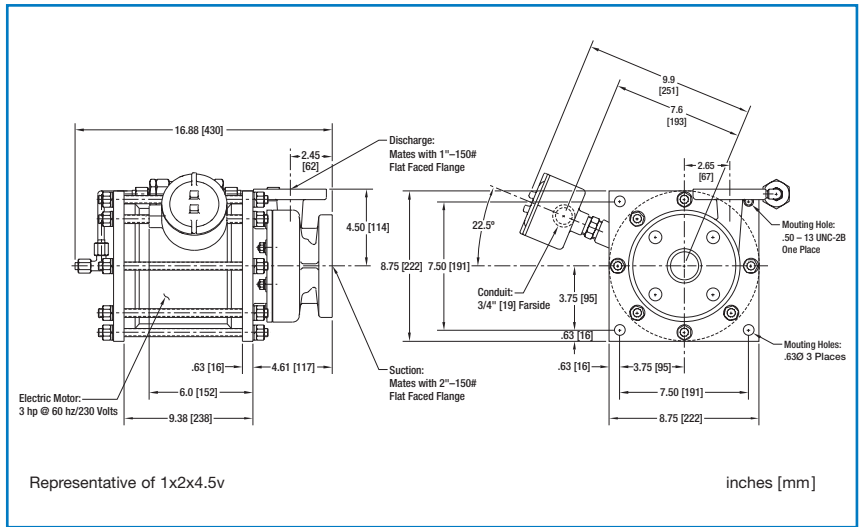
Pump Design Rating

hp	3-25
kw	2.24-19

RPM Range

rpm	1500-7200
-----	-----------

Dimensions



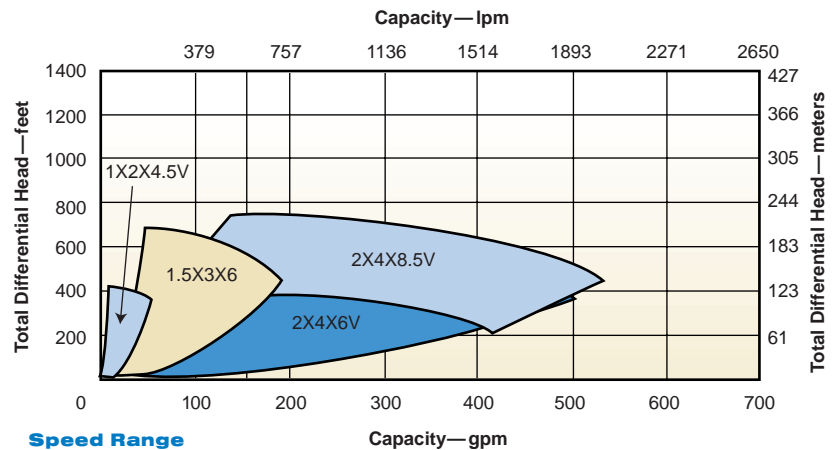
Scope of Supply

- ▶ Pump and integral VFD designed motor with hermetically sealed lead through
- ▶ Mounting flanges for mating connections

Optional Accessories

- ▶ Variable frequency drive
- ▶ Differential pressure gauge
- ▶ Loss of prime detector (cavitation protection)
- ▶ Stainless steel safety relief valve
- ▶ Dual conduit box per NFPA standards for LNG service

Pump Performance Map



Speed Range

Model	Speed Range
1x2x4.5	1500 to 7200
1.5x3x6	1500 to 7200
2x4x6	1500 to 5600
2x4x8.5	1500 to 5000

Worldwide Sales & Service Centers



2321 S. Pullman Street
Santa Ana, CA 92705 USA
Tel 800.525.4216 (USA only)
Tel +1.949.261.7533
Fax +1.949.261.6285
acd@acdcom.com
www.acdcom.com



Gutenbergstrasse 1
CH-4142 Muenchenstein
Switzerland
Tel +41.61.413.0230
Fax +41.61.413.0233
sales@acdcrysto.com
www.acdcrysto.com

Rheinauenstrasse 2
D-79415 Bad Bellingen
Germany
Tel +49.7635.8105.0
Fax +49.7635.8965
info@acdcrysto.com
www.acdcrysto.com

Cryogenic Industries—Headquarters

25720 Jefferson Avenue
Murrieta, CA 92562 USA
Tel +1 909.696.7840
Fax +1 909.698.7484
info@cryoind.com
www.cryoind.com

CryoAtlanta, Inc.

370 Great Southwest Parkway, Suite F
Atlanta, GA 30336 USA
Tel 888.217.9355 (USA only)
Tel +1 404.696.8113
Fax +1 404.696.8116
tffarmer@bellsouth.net
www.cryoatlanta.com

CryoCal, Inc.

2110 S. Lyon Street, Unit H
Santa Ana, CA 92705 USA
Tel +1 949.724.8636
Fax +1 714.641.1921
sales@cryocal.com
www.cryocal.com

CryoCanada Inc.

530 McNicoll Avenue
North York, Ontario M2H 2E1, Canada
Tel +1 416.502.1950
Fax +1 416.502.1952
cryocanada1@bellnet.ca
www.cryocanada.com

Cryogenic Industries - Houston

14014 Interdrive East
Houston, TX 77032 USA
Tel +1 281.590.4800
Fax +1 281.590.4801
sales@cihouston.com
www.cihouston.com

Cryogenic Industries—Malaysia

Lot 35, Jalan Selat Selatan 21
Sobena Jaya, Pandamaran
42000 Port Klang, Selangor, Malaysia
Tel +60 (3) 3165.4801
Fax +60 (3) 3165.4798
rmross1@attglobal.net
www.cimalaysia.com

Cryogenic Industries—China

218 Tian Mu Shan Road
Hangzhou, 310007, China
Tel +86 571.888.59026
Fax +86 571.888.59025
hci@mail.hz.zj.cn

Cryoquip - Australia

14 Zenith Road
Dandenong, Victoria 3175, Australia
Tel +61.3.9791.7888
Fax +61.3.9769.2788
sales.au@cryoquip.com
www.cryoquip.com

Pittsburgh Cryogenic Services, Inc.

767 State Route 30
Imperial, PA 15126 USA
Tel 800.327.6461 (USA only)
Tel +1 724.695.1910
Fax +1 724.695.1926
pittcryo@pittcryogenic.com
www.pittcryogenic.com